

CHECKID-SR

SmartCard Reader

Product Specification

Version: 1.0.2

Date: January 30th, 2023

Version No.

Version	Edit Date	Main content
1.0.0	2020.12.20	Spec first release
1.0.1	2021.05.26	Spec update
1.0.2	2023.01.30	Spec update

Contents Index

1. Product Description	1
2. Product structure	2
3. Product parameter	4
4. Interface Description	5
5. Product dimension	6
6. Device package list	7
7. Service after sales	7

1. Product description

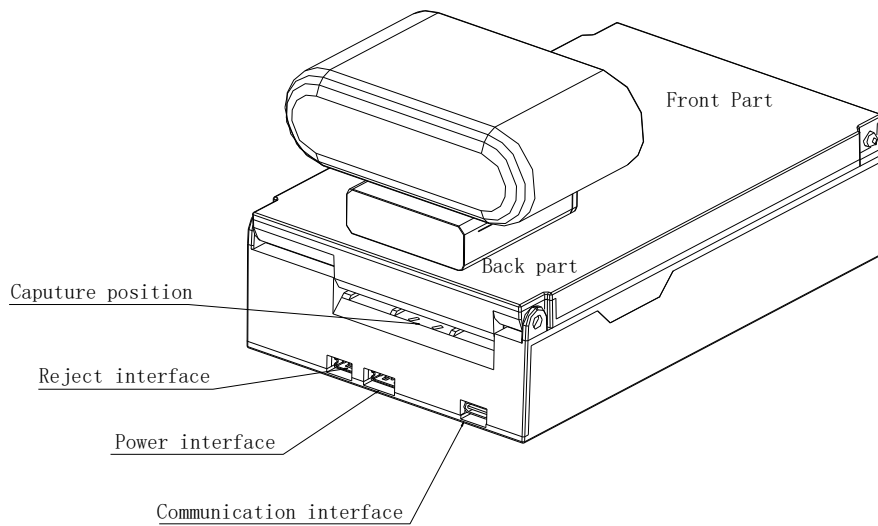
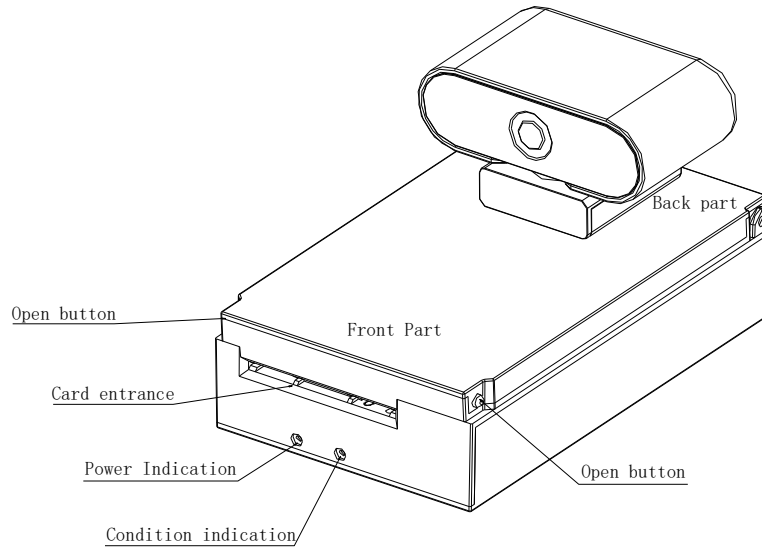


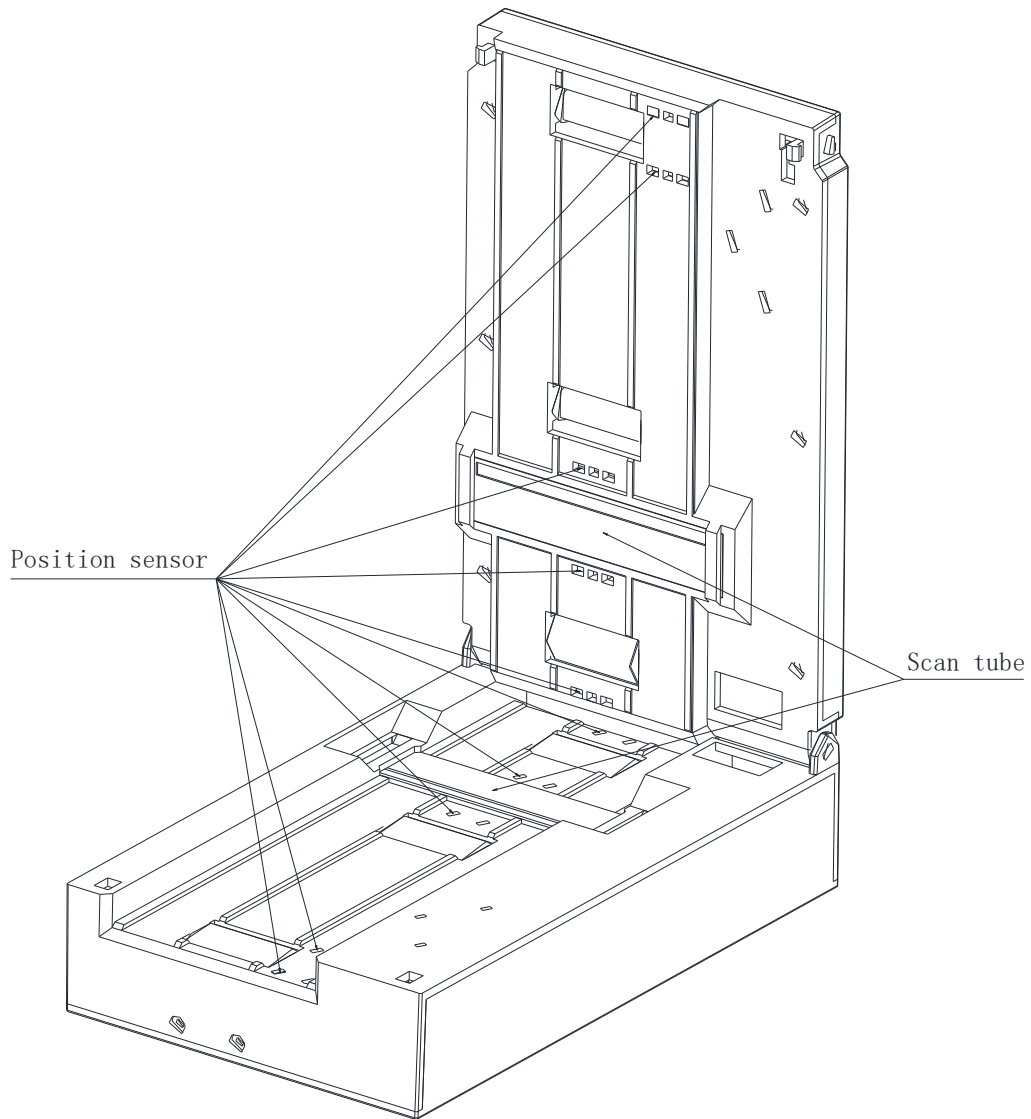
CHECKID-SR SmartCard Reader is designed for ID document verification and ID document build application, the product is integrated with a high-speed NFC communication chip, high-efficiency image scan module, and individual security control SAM module. Very easy to scan various ID images, and personal information and transfer data to the host through USB 2.0 main lane, The product is designed with the technology of motor-driven slot load, fast reading, OCR accrual encoding, smart card double size scan, smart structure design, etc. It fully fulfills all self-service terminal and manual reception desktop fields.

Product features

- High efficient 32-bit ARM9 control board, fast speed operation
- Wide angle multiple spectral lights and high definition scan tube, high-definition image
- High efficient smart image algorithm, encoding standard or customized ID card in both sizes
- Support ISO/IEC 14443 Type A, Type B, Mifare card and tags
- Support camera image or video
- Support online firmware update
- Support card reject power off and manual reject
- Smart structure design, 40mm thickness
- Support USB high-speed communication, free driver
- Support Windows/Linux/Android etc.
- Support complete DEMO and SDK documentation

2. Product structure





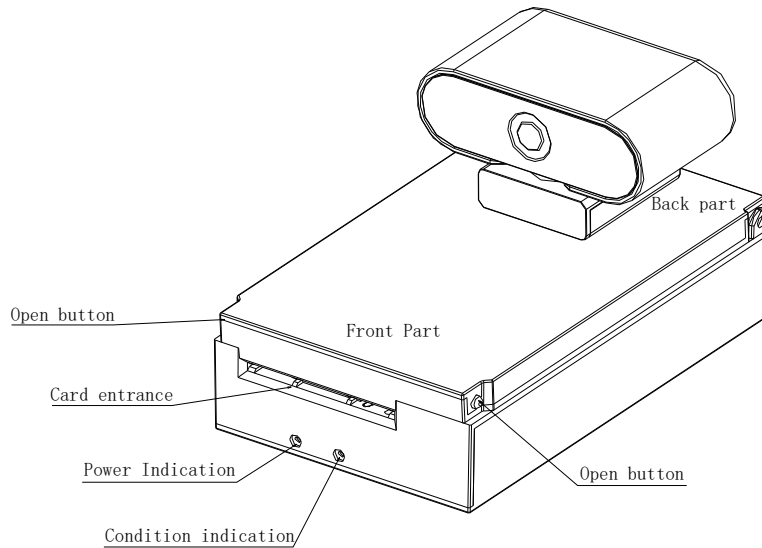
Notes: The device may be damaged when power voltage over DC 14V may damage

3. Product parameter

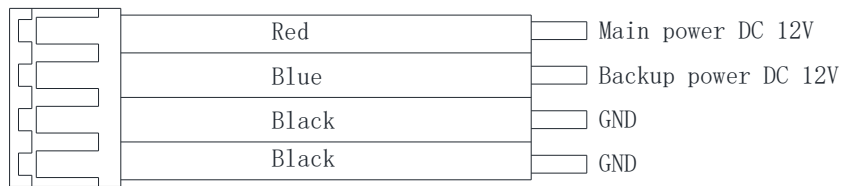
Item	Parameter description
Name	Slot load smart card scanner
RF technology	Support ISO/IEC 14443 Type A/B
Scan spec	300DPI double size full color 87mm/second
Security module	Embedded ID card security module (SAM) optional
Working frequency	13.56MHz ± 7kHz
Universal ID documentation type	Viet Nam national ID card
Operation speed	≤3 second (depending on card)
Camera spec	200W Pixel, revolution, 1080P, fixed length, rotate angle
Communicate interface	USB 2.0 high-speed interface
Platform	Windows/Linux/Android
Online update	Support online firmware update
Power input	DC 12V ± 5% 1500 mA
Power consumption	Quiescent current ≤ 190 mA Peak current ≤ 1000 mA
Environment condition	Operation: 0°C ~ 50°C, 0 ~ 90% RH (non-condense) Storage: -30°C ~ 60°C, 0 ~ 95% RH (non-condense)
Net weight	About 450g
RoHS standard	Conform to RoHS standard

4. Interface description

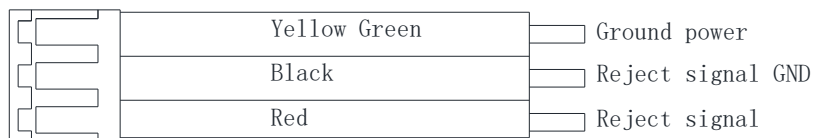
Interface position



Power interface definition



Card reject interface definition



Communication interface definition (standard USB interface)

6. Device package list

Item	Name	Quantity	Specification
1	Product device	1pcs	154mm *95*40mm
2	Install screws	4pcs	M3-6
3	Power adaptor	1pcs	DC 12V
4	USB data cable	1pcs	USB cable 1000mm

7. Service after sales

Thank you for staying with us, for the device in better performance, please kindly read bellow information.

1. Take care of the SN for the service in the future
2. One year warranty after sales in normal working environment (not including artificial damage)
3. Material and repairing fees required out of warranty
4. Device will be out of warranty without permission to modify or dismount the device.